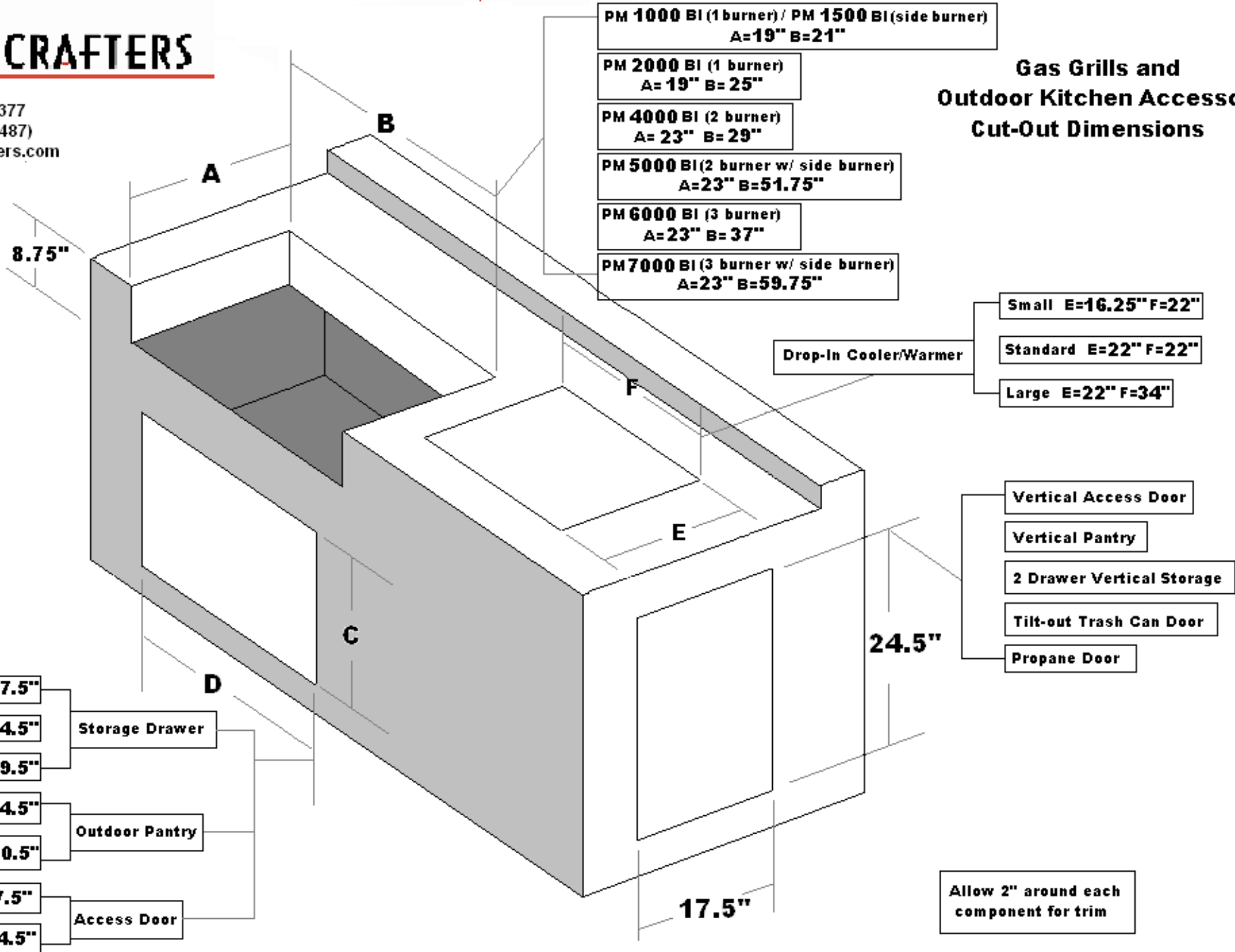


# TEXAS PIT CRAFTERS

P.O. Box 83  
 Tomball, TX 77377  
 877-697-PITS (7487)  
 www.texaspitcrafters.com

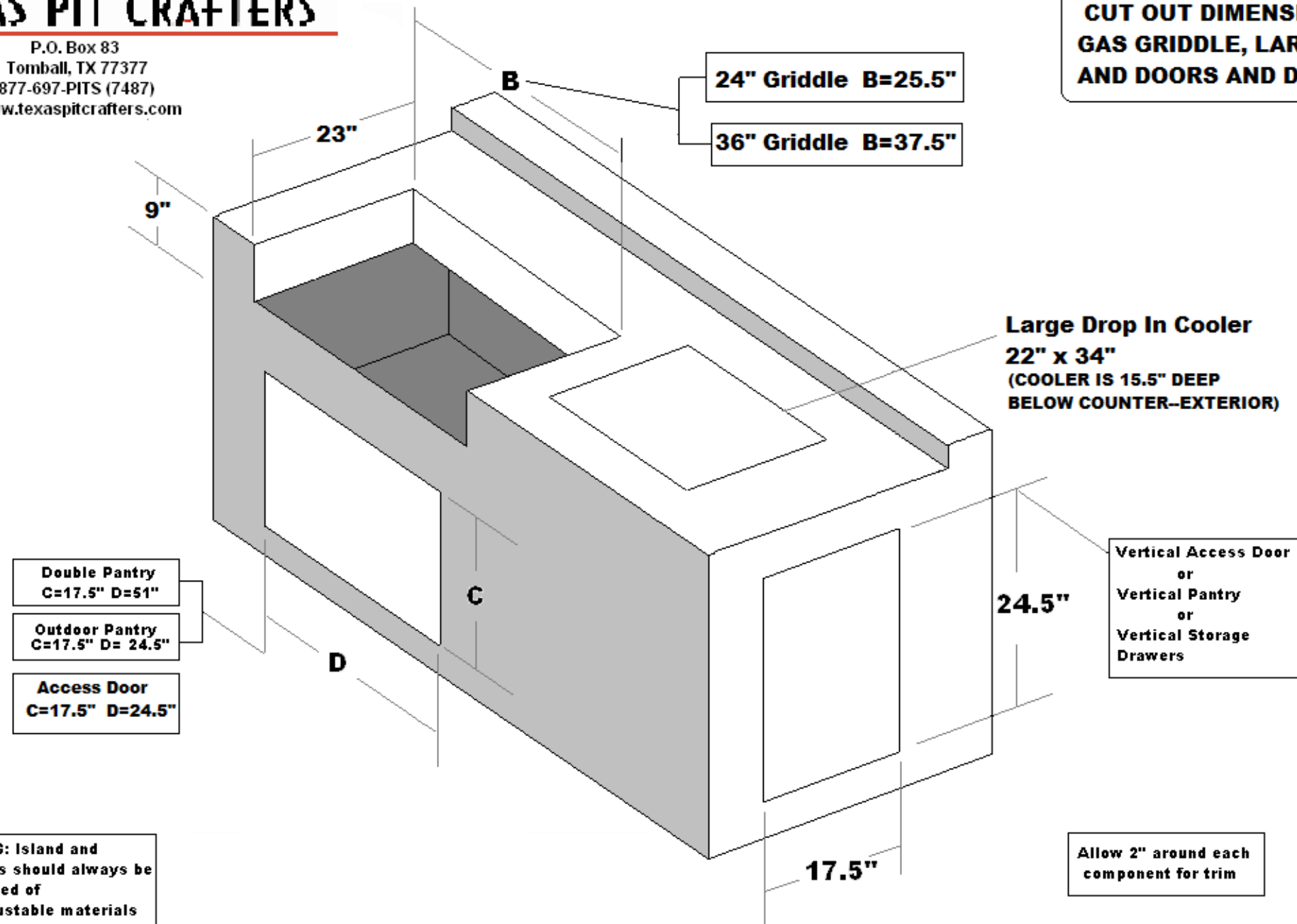
## Gas Grills and Outdoor Kitchen Accessories Cut-Out Dimensions



**WARNING: Island and structures should always be constructed of noncombustible materials with adequate ventilation.**

# TEXAS PIT CRAFTERS

P.O. Box 83  
Tomball, TX 77377  
877-697-PITS (7487)  
www.texaspitcrafters.com



**CUT OUT DIMENSIONS FOR  
GAS GRIDDLE, LARGE COOLER  
AND DOORS AND DRAWERS**

**24" Griddle B=25.5"**

**36" Griddle B=37.5"**

**Large Drop In Cooler  
22" x 34"  
(COOLER IS 15.5" DEEP  
BELOW COUNTER-EXTERIOR)**

**Vertical Access Door  
or  
Vertical Pantry  
or  
Vertical Storage  
Drawers**

**Double Pantry  
C=17.5" D=51"**

**Outdoor Pantry  
C=17.5" D= 24.5"**

**Access Door  
C=17.5" D=24.5"**

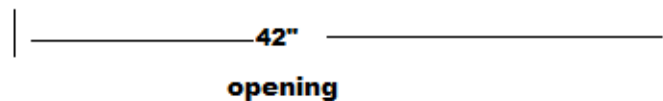
**WARNING: Island and  
structures should always be  
constructed of  
noncombustable materials  
with adequate ventilation**

**Allow 2" around each  
component for trim**

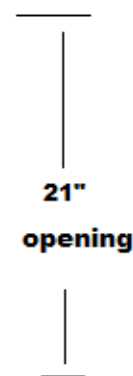
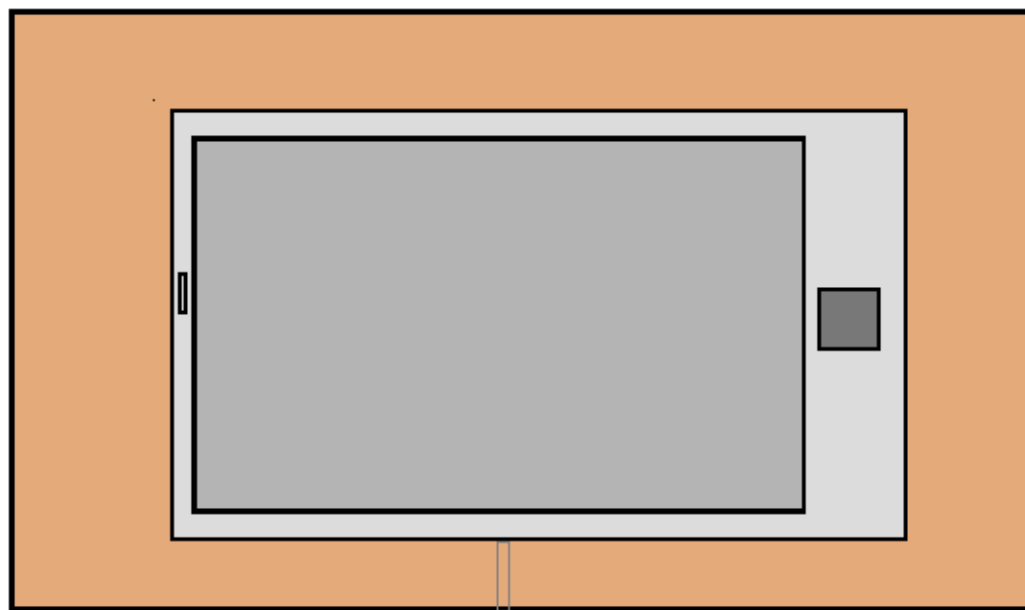
**PM 200 Charcoal Pit  
Cut Out Dimensions**

**Texas Pit Crafters**

**top view**



**vent this  
side**



**hole in face of island for  
adjustable charcoal rack key**

**Place vent on side of island  
opposite of smokestack.**

**2" trim on all 4 sides  
Pit is supported by  
trim in cut out  
opening.**

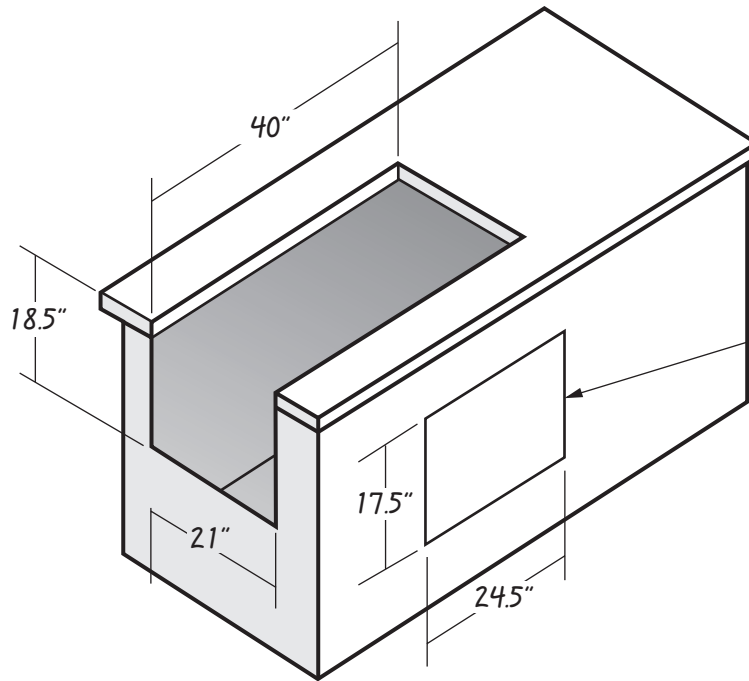
**Allow 11" behind cut out  
for dome lid to open**

**Texas Pit Crafters recommends all  
heat generating outdoor kitchen  
components, such as pits, grills  
and burners, be installed in  
structures built using all  
non-combustible materials.**

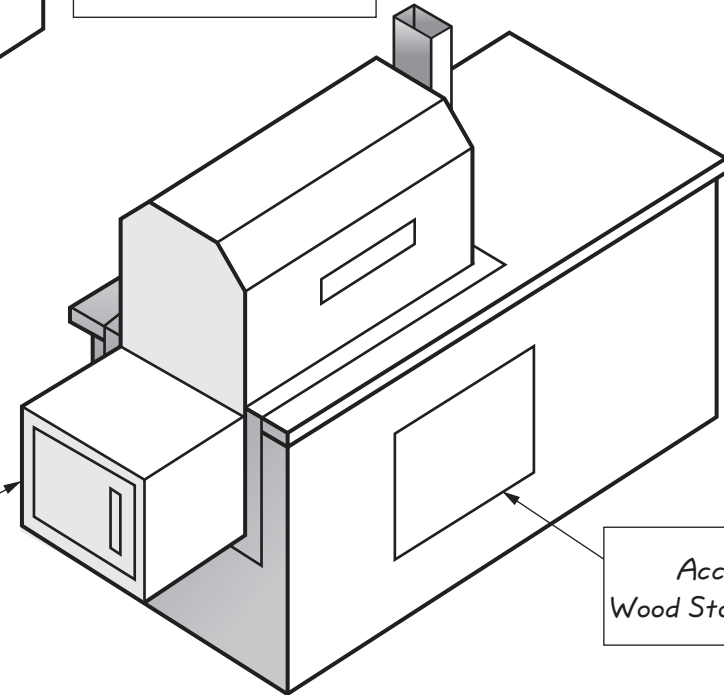
# TEXAS PIT CRAFTERS

P.O. Box 83  
 Tomball, Tx 77377  
 877-697-PITS (7487)  
 www.texaspitcrafters.com

PM 500 & PM 500 S  
 Built-In BBQ Pit/Smoker  
 Cut-Out Dimensions



Access Door  
 Wood Storage Drawer



Drop-In Pit  
 Fire Box

Access Door  
 Wood Storage Drawer

Allow 3" around each  
 component for trim

If Back splash or wall is located  
 behind unit, a minimum of  
 11" clearance is required

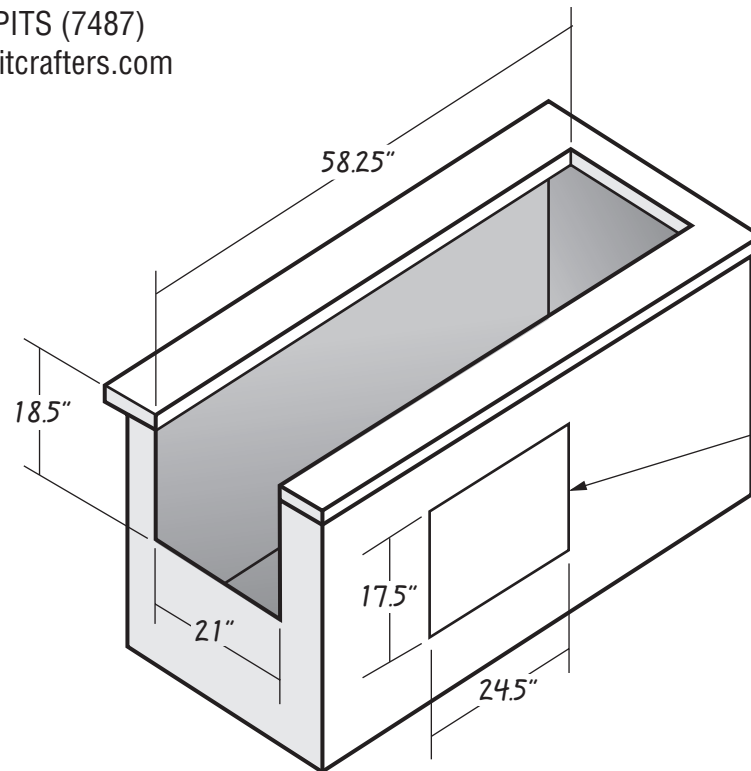
Allow 3" around cut-outs  
 for supporting trim

**WARNING: Island and structures  
 should always be constructed of  
 noncombustable materials with  
 adequate ventilation**

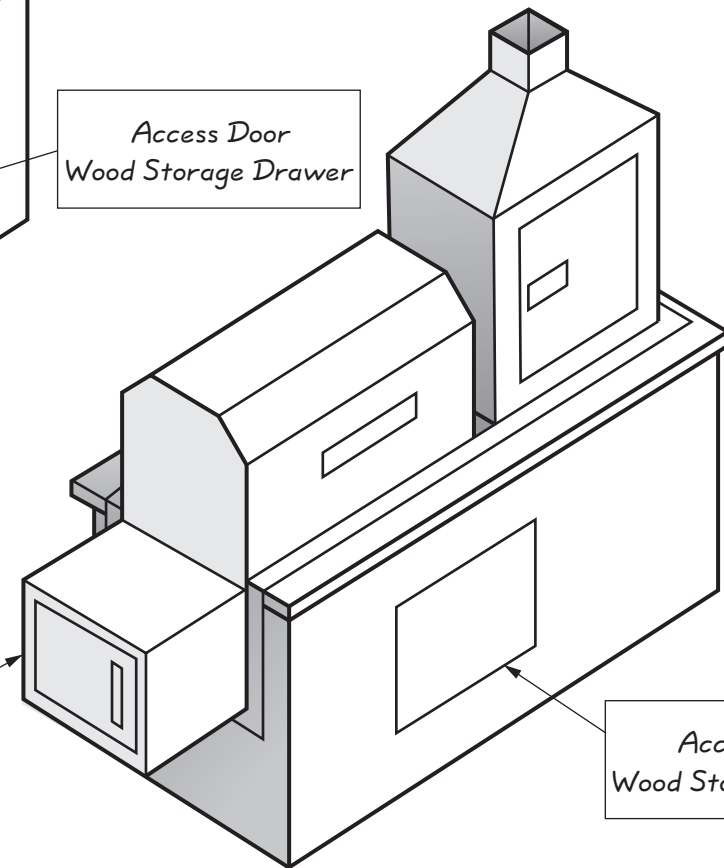
# TEXAS PIT CRAFTERS

P.O. Box 83  
 Tomball, Tx 77377  
 877-697-PITS (7487)  
 www.texaspitcrafters.com

PM 500 U & PM 500 S U  
 Built-In BBQ Pit/Smoker  
 Cut-Out Dimensions



Access Door  
 Wood Storage Drawer



Drop-In Pit  
 Fire Box

Access Door  
 Wood Storage Drawer

If Back splash or wall is located  
 behind unit, a minimum of  
 11" clearance is required

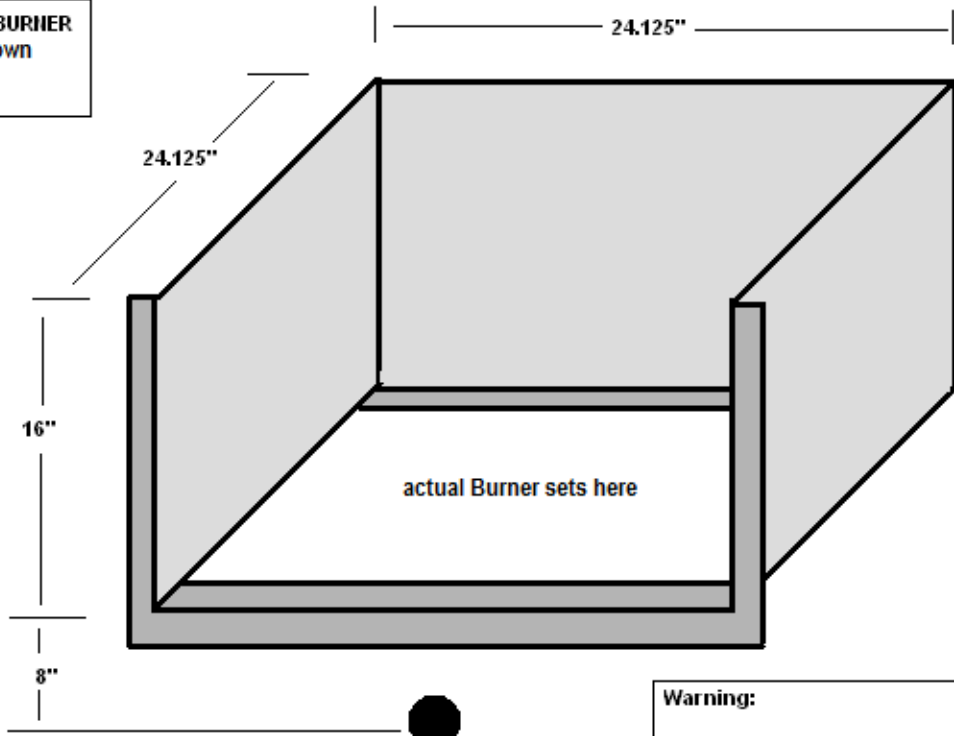
Allow 3" around cut-outs  
 for supporting trim

**WARNING:** Island and structures  
 should always be constructed of  
 noncombustable materials with  
 adequate ventilation

Allow 3" around each  
 component for trim

TEXAS PIT CRAFTERS

RECESSED DROP DOWN BURNER  
Stainless wrapper shown  
CUT OUT DIMENSIONS



Note: Tile Band  
is on top of 16"  
depth.

Note Front and Back  
Supports

1.125"  
Diameter Hole

Warning:  
Islands and structures containing  
outdoor kitchen components  
should always be constructed of  
non-combustible materials and  
have adequate ventilation.

Installation:  
The front edge of Recessed Burner slides  
back into opening